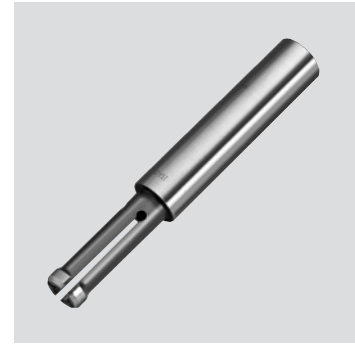
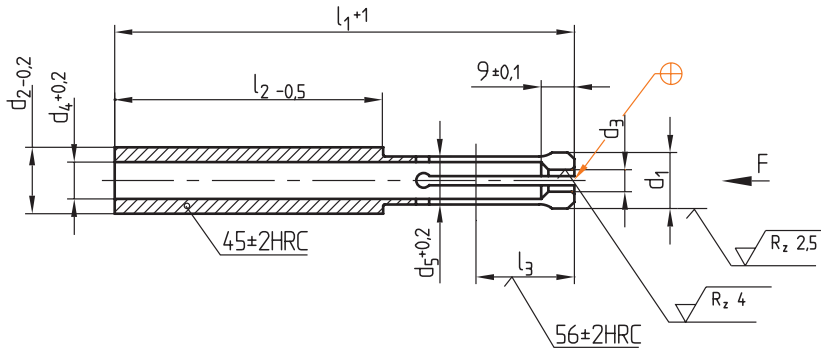


Z 163/...

Mat.: 1.2826



► Info



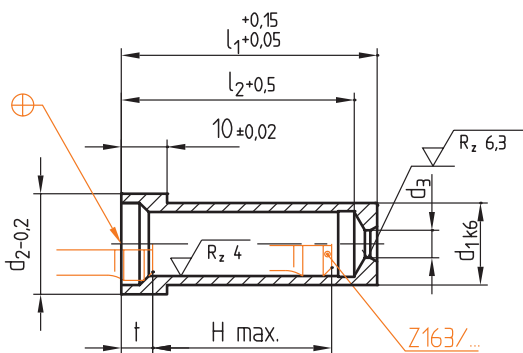
max. F [N]	l_3	l_2	d_1	d_2	d_4	d_5	d_3	l_1	Nr./No.
12000	20	73	16	18	10	13	6	125	Z 163/ 6x125
20000	25	100	20	24	12,5	17	10	160	10x160

Z 164/...

Mat.: 1.2080



► Info



max. H	t	l_2	d_2	d_1	d_3	l_1	Nr./No.
24	6,7	31	22	18	6	36	Z 164/6x36
34		41				46	46
44		51				56	56

max. H	t	l_2	d_2	d_1	d_3	l_1	Nr./No.
23	6,7	30	29	24	10	36	Z 164/10x36
33		40				46	46
43		50				56	56
63		70				76	76

This is trial version
www.adultpdf.com